

Automatic Drain Valves

Automatic Drain Valves are an important safety feature for compressed air applications with downstream pneumatic equipment.

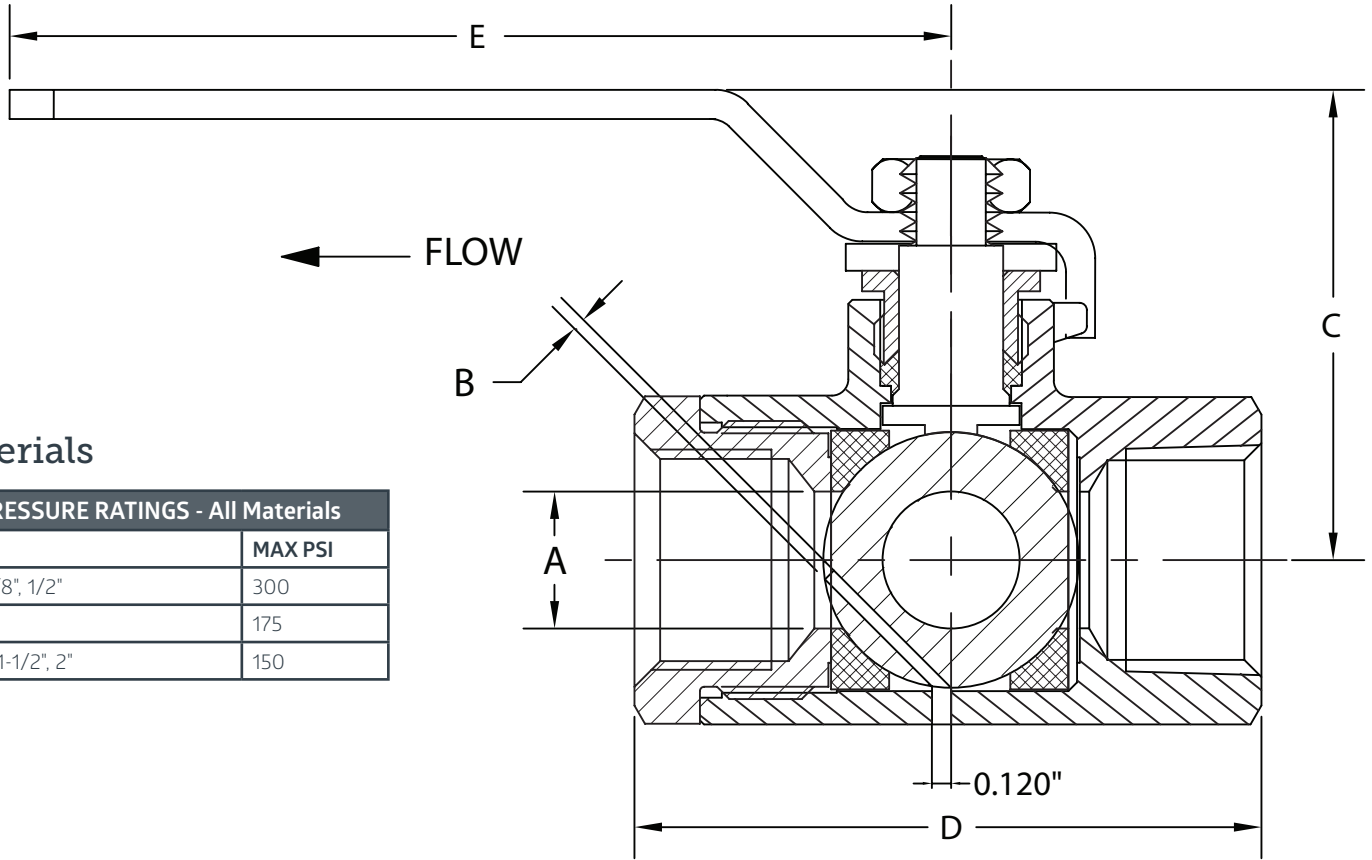
A conventional shut off valve can trap compressed air in pneumatic equipment, which could create a potentially dangerous situation. Lance Automatic Drain Valves allow the down stream pressure to be released when the valve is in the closed, "off" position.

Design Features

- CF8M(316) SS Body
- Blowout proof stem
- Adjustable packing gland
- Glass reinforced Teflon seats
- NPT end connections
- 2 Piece construction
- Stainless Steel Ball & Stem
- Stainless Steel Handle
- Drilled vent port
- Drilled vent hole in ball



Lance Valves has been a Leading Manufacturer and Supplier of Valves for More than 40 years.



Materials

PRESSURE RATINGS - All Materials	
SIZE	MAX PSI
1/4", 3/8", 1/2"	300
3/4", 1"	175
1-1/4", 1-1/2", 2"	150

Part No.	Size		A		B		C		D		E	
	in	mm	in	mm	in	mm	in	mm	in	mm	in	mm
22-021-4-11	1/4	8	0.38	9.6	1.04	26.52	2.16	55	2.10	53.4	4.01	20
22-031-4-11	3/8	10	0.38	9.6	1.04	26.5	2.16	55	2.10	53.4	4.01	20
22-041-4-11	1/2	15	0.50	15	1.18	30.0	2.36	60	2.27	57.8	4.65	25
22-061-4-11	3/4	20	0.75	20	1.28	32.5	2.56	65	2.38	60.5	4.65	32
22-081-4-11	1	25	1.00	25	1.50	40.0	3.15	80	2.69	68.5	5.82	38
22-101-4-11	1-1/4	32	1.25	32	1.77	45.0	3.54	90	3.35	85.2	5.82	48
22-121-4-11	1-1/2	40	1.49	38	2.0	50.0	4.00	100	3.58	91.0	6.38	53
22-161-4-11	2	50	2.00	50	2.46	62.5	4.92	125	4.07	103.5	6.38	67