

6000 PSI Stainless & Carbon Steel 2 Piece Ball Valve

These valves come standard with end connectors seal welded to the body and self locking lever handles. Their strengthened construction secures 6000 psi working pressure rating and feature an enlarged bottom-loaded blow-out proof stem.

Features

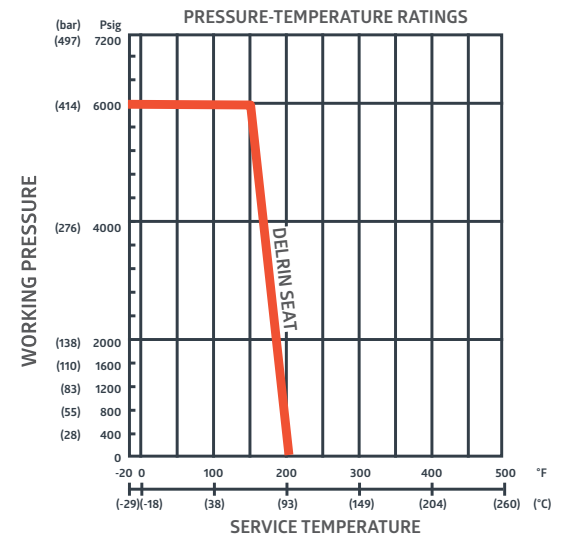
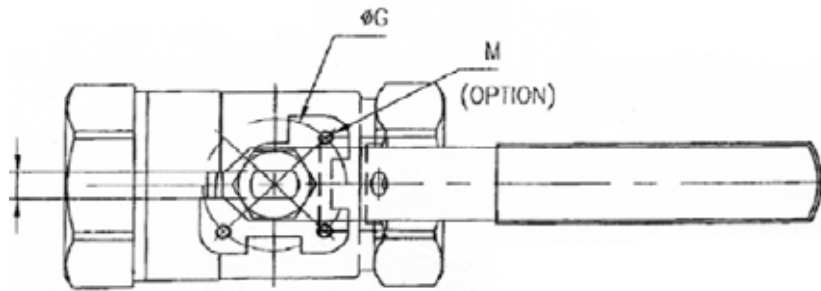
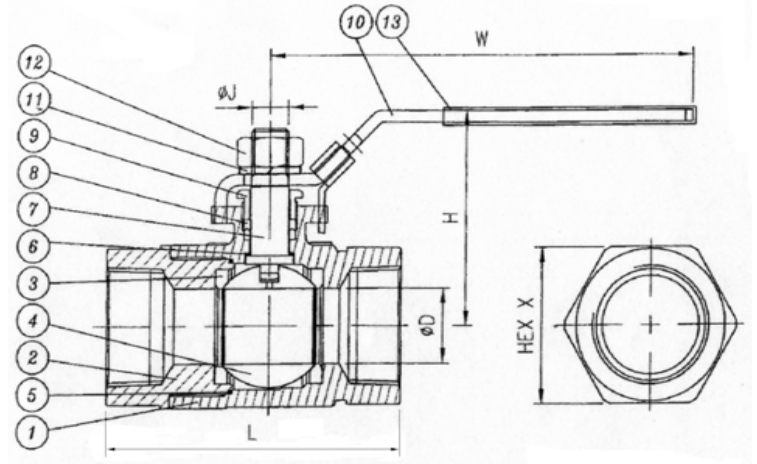
- Threaded ends
- 6000 WOG
- 1/4" to 1-1/2": Full Port, 2": Standard Port
- Nace MR-01-75 ISO 5211 Mounting Pad
- Gasket is placed ahead of the body cap threads, providing a tight seal and protection of threads from flow media.
- Vented ball equalizes pressure between the body cavity and the flow stream to prevent seat damage due to thermal cycling.
- Basic design complies with ANSI B16.34 & EN 12516-1.
- NPT threaded ends comply with ANSI B 1.20.1.
- Rc, Rp & G Threaded ends complying with BS 21/2779, JIS B-0203/0202, DIN 259/2999, ISO 228-1, AS1722.1/1722.2 are upon request.
- Tested according to API 598.
- 1 Year Warranty



Lance Valves has been a Leading Manufacturer and Supplier of Valves for More than 40 years.

Materials

No.	Part Name	Stainless	Carbon
1	Body	ASTM A351-CF8M	ASTM A216- WCB
2	End Cap	ASTM A351-CF8M	ASTM A216- WCB
3	Seat	Delrin	Delrin
4	Ball	ASTM A351-CF8M/316	ASTM A351-CF8/304
5	Gasket	PTFE	PTFE
6	Thrust Washer	PTFE	PTFE
7	Stem	ASTM A276-316	ASTM A276-304
8	Stem Packing	PTFE	PTFE
9	Gland	AISI 304	AISI 304
10	Handle	AISI 304	Zinc Plated Steel
11	Handle Washer	AISI 304	AISI 304
12	Handle Nut	AISI 304	AISI 304
13	Handle Cover	PVC	PVC



PN	Size		Ø D		L		I		Ø J		K		K1		Ø G		M	H		W	
	in	mm	in	mm	in	mm	in	mm	in	mm	in	mm	in	mm	in	mm		in	mm	in	mm
206TWL025	¼	8	0.37	9.5	2.80	71	0.20	5	0.31	8	0.31	7.80	0.50	12.8	1.42	36	M5	2.34	59.5	4.25	108
206TWL038	⅜	10	0.37	9.5	2.80	71	0.20	5	0.31	8	0.31	7.80	0.50	12.8	1.42	36	M5	2.34	59.5	4.25	108
206TWL050	½	15	0.49	12.5	3.19	81	0.20	5	0.31	8	0.31	7.80	0.50	12.8	1.42	36	M5	2.34	59.5	4.25	108
206TWL034	¾	20	0.79	20	3.78	96	0.28	7	0.39	10	0.55	14.0	0.83	21.0	1.65	42	M5	2.50	63.5	5.16	131
206TWL100	1	25	0.98	25	4.25	108	0.39	10	0.55	14	0.75	19.0	1.07	27.2	1.97	50	M5	3.00	76.2	6.57	167
206TWL125	1¼	32	1.26	32	4.72	120	0.39	10	0.55	14	0.79	20.0	1.11	28.2	1.97	50	M5	3.19	81.0	6.57	167
206TWL150	1½	40	1.50	38	5.12	130	0.47	12	0.75	19	1.14	29.0	1.56	39.5	2.76	70	M5	4.30	109.2	8.66	220
206TWL200	2	50	1.50	38	5.91	150	0.47	12	0.75	19	1.14	29.0	1.56	39.5	2.76	70	M5	4.30	109.2	8.66	220