

## 2 Piece 1000 WOG Stainless Steel Ball Valve

1000 WOG, Full Port, Threaded Ends.

### Features

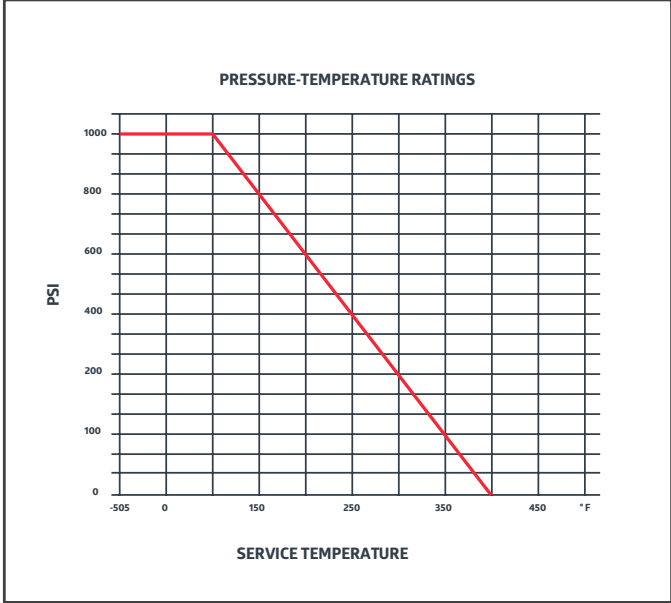
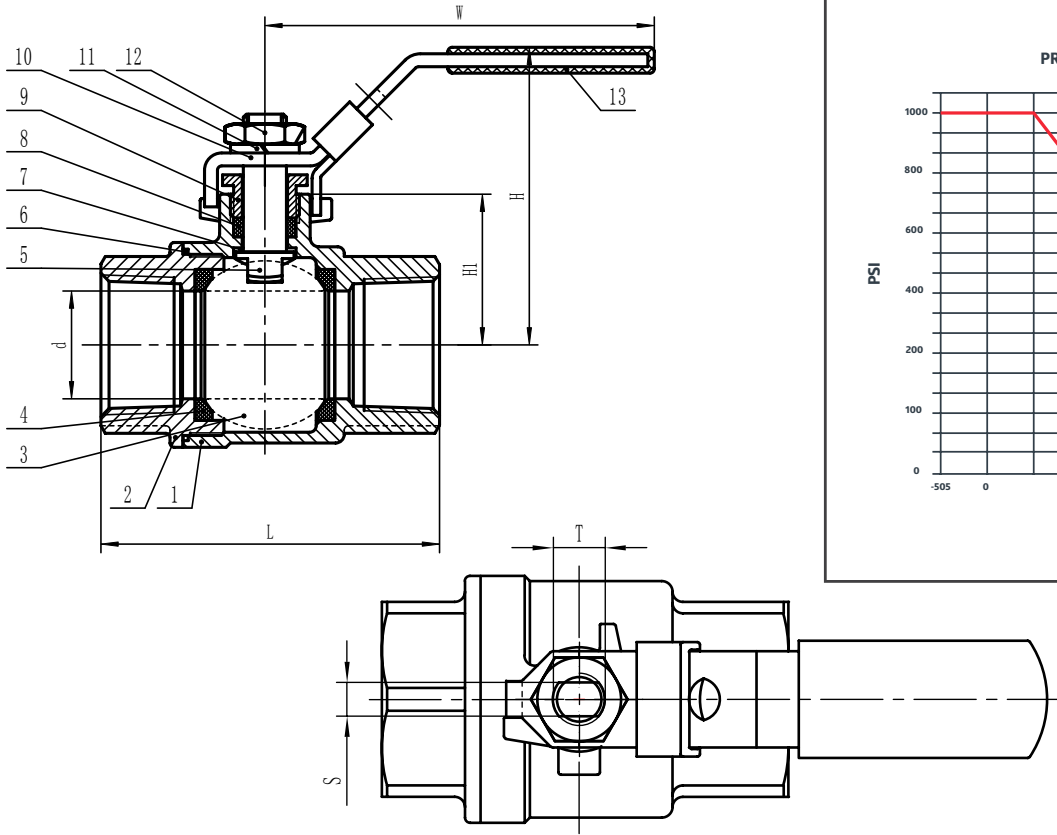
- Two-piece design for fast, economical in-line maintenance
- Basic design complied with ANSI B16.34
- NPT threaded ends complied with ANSI B 1.20.1., BS21, DIN 259/2999
- Tested according to API 598.
- Locking Lever handle
- Floating ball
- Investment casting

### Materials

No.	Part Name	Specification
1	Body	ASTM A351 CF8M
2	Cap	ASTM A351 CF8M
3	Ball	ASTM A351 CF8M
4	Seat	PTFE
5	Stem	ANSI 316
6	Body Gasket	PTFE
7	Thrust Washer	PTFE
8	Stem Packing	PTFE
9	Gland Nut	ANSI 304
10	Handle	ANSI 430
11	Washer	ANSI 304
12	Nut	ANSI 304
13	Handle Sleeve	Plastic



Lance Valves has been a Leading Manufacturer and Supplier of Valves for More than 40 years.



Part No.	Size	D	L	H	H1	W	S	T
	in	in	in	in	in	in	in	in
LS-201T025	1/4	0.5	1.9	1.7	1	4	0.15	0.2
LS-201T038	3/8	0.5	1.9	1.7	0.8	4	0.15	0.2
LS-201T050	1/2	0.6	2.1	2	1	4	0.2	0.3
LS-201T075	3/4	0.8	2.5	2.3	1.2	5	0.2	0.3
LS-201T100	1	1	3	2.5	1.4	5.1	0.25	0.4
LS-201T125	1-1/4	1.25	3.5	3	1.6	5.1	0.25	0.4
LS-201T150	1-1/2	1.5	3.9	3.2	1.9	6.1	0.3	0.5
LS-201T200	2	2	5	3.7	2.2	6.1	0.3	0.5
LS-201T300	3	2.9	6.9	5	3.3	8.6	0.5	0.8
LS-201T400	4	3.7	8.5	5.8	4	11	0.6	0.8