

Steam Service Valves

Steam Service valves are provided with high temperature seats and a graphite stem packing for use with saturated steam up to 250 psig at 500° F. High temperature end connector gaskets are also provided for 1-1/4 – 2" sizes. Comes with a Stainless Steel ID Tag fastened to the mounting pads.



Bronze

- Conforms to Specification: MSS SP-110

Stainless Steel & Carbon Steel

- Conforms to Specification: MSS SP-110, API 598, API608, ASME B16.34.

Design Features

- Temp Rating 500° F @ 250 PSI
- Adjustable Graphite Packing
- Graphite Reinforced Teflon Seats
- SS ID Tag with Temp/Pressure Rating
- 2 piece Construction
- 5 Year Warranty

Lance Valves has been a Leading Manufacturer and Supplier of Valves for More than 40 years.

Ball Valve Materials

1. BODY

Bronze: C83600
 Stainless: CF8M
 Carbon Steel: WCB

2. END CONNECTOR

Bronze: B16
 Stainless: 316
 Carbon Steel: 1215

3. BALL – 316 Stainless

4. STEM – 316 Stainless

5. GLAND NUT

Bronze: B16
 Stainless: 316
 Carbon Steel: 316

6. SEATS – PTFE, 10% Graphite 10% Glass

7. STEM PACKING – Graphite

8. STEM BEARING – Glass filled Teflon

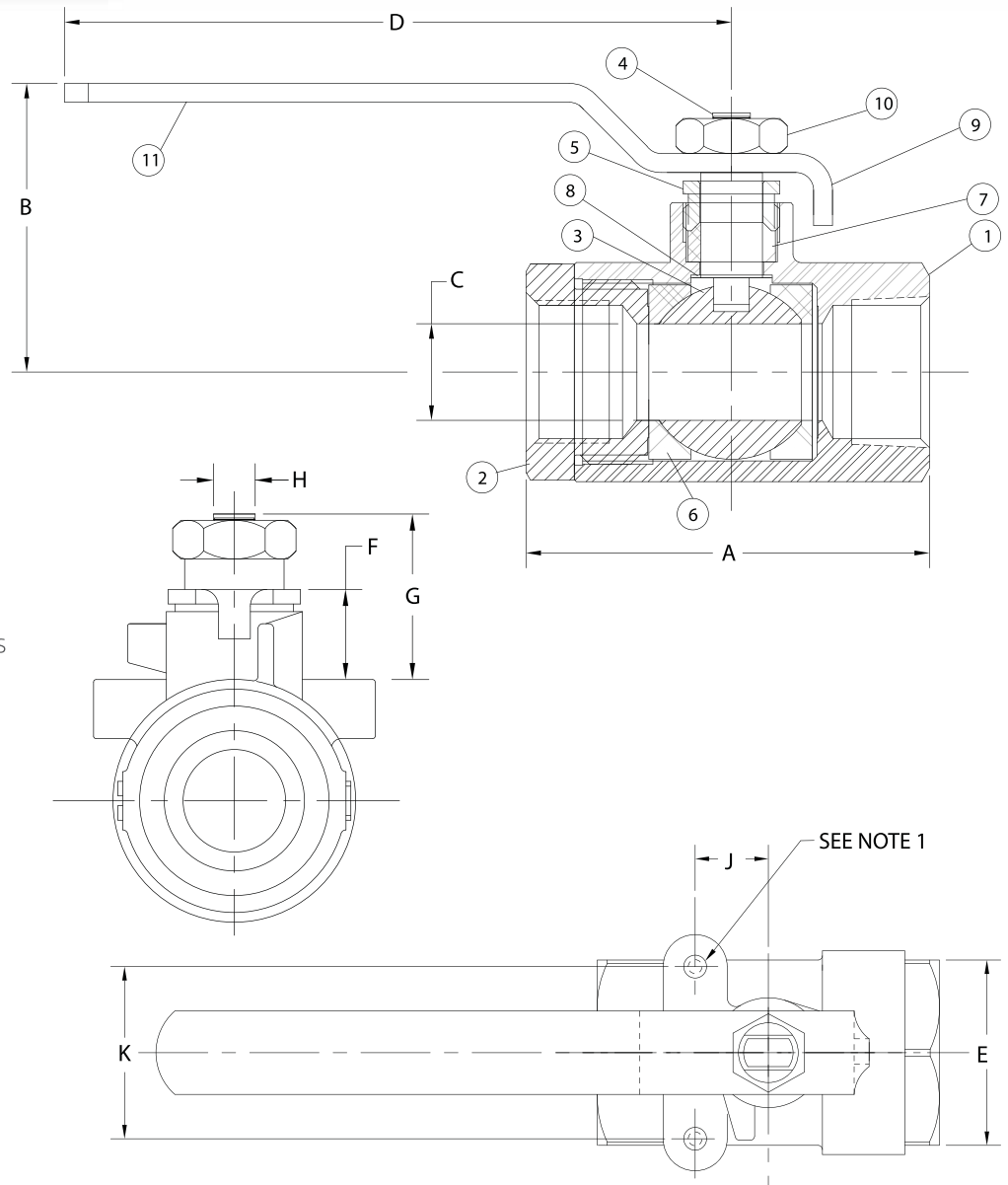
9. HANDLE

Stainless: 304
 Carbon Steel: Chrome Plated Steel

10. HANDLE NUT

Stainless: 18-8
 Carbon Steel: Chrome Plated Steel

11. HANDLE GRIP – Vinyl



NOTE 1: Sizes 1/4" – 1": tapped with 10-24 UNC threads. Sizes 1-1/4" – 2" tapped with 1/4"-20 UNC threads.

Size	Part No. Bronze	Part No. SS	Part No. CS	A Bronze	A SS & CS	B	C	D	E	F	G	H	J	K
1/4"	21-021-3-21	22-021-21	23-021-3-21	2.063	2.063	1.750	.375	3.875	.938	.560	.875	.230	.500	1.125
3/8"	21-031-3-21	22-031-21	23-031-3-21	2.063	2.063	1.750	.375	3.875	.938	.560	.875	.230	.500	1.125
1/2"	21-041-3-21	22-041-21	23-041-3-21	2.250	2.250	1.813	.500	3.875	1.063	.560	.875	.230	.500	1.125
3/4"	21-061-3-21	22-061-21	23-061-3-21	3.000	3.000	2.125	.688	4.750	1.375	.660	1.060	.250	.875	1.375
1"	21-081-3-21	22-081-21	23-081-3-21	3.375	3.375	2.250	.875	4.750	1.625	.660	1.060	.250	.875	1.375
1-1/4"	21-101-3-21	22-101-21	23-101-3-21	4.000	4.000	2.625	1.000	5.500	2.000	.745	1.405	.385	.940	1.500
1-1/2"	21-121-3-21	22-121-21	23-121-3-21	4.000	4.375	2.875	1.250	5.500	2.375	.730	1.390	.385	.940	1.500
2"	21-161-3-21	22-161-21	23-161-3-21	4.750	5.500	3.063	1.500	5.500	2.750	.700	1.360	.385	.940	1.500