

LC-292T FIRE SAFE 2-PIECE CARBON STEEL BALL VALVE

Threaded Ends, Full Port, 1/4" to 2": 2000 WOG

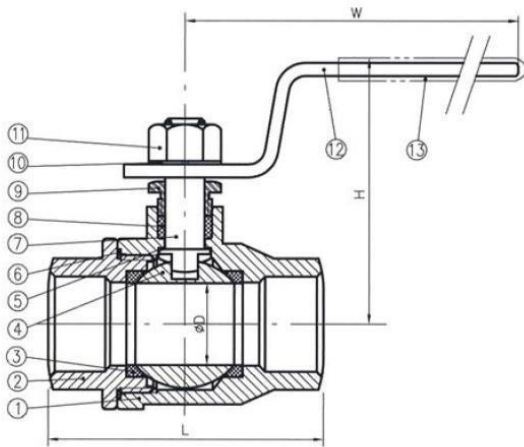
Features:

- 1/4" TO 2": 2000 W.O.G, 2 1/2" TO 4": 1500 W.O.G
- Strengthened construction secures 2000 psi working pressure rating. Reinforced TFE seats increase durability.
- Adjustable packing gland.
- Bottom-loaded blow-out proof stem.
- Basic design complied with ANSI B16.34 & EN 12516-1.
- NPT threaded ends complied with ANSI B 1.20.1..
- Re, Rp & G Threaded ends complied with BS 21/2779, JIS B- 0203/0202, DIN 259/2999, ISO 228-1, ASI 722.1/1722.2 are upon request.
- Graphite gasket & stem packing prevent post-fire external leakage.
- Post-fire metal to metal seal prevents internal leakage after fire.
- Tested according to API 598



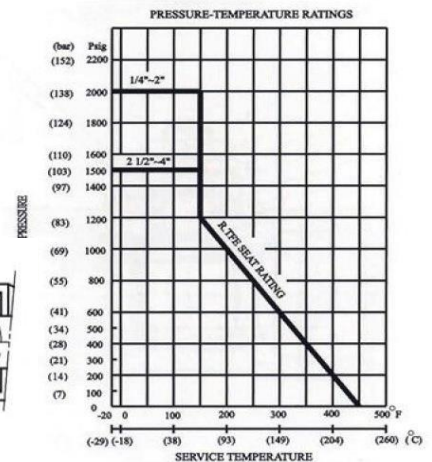
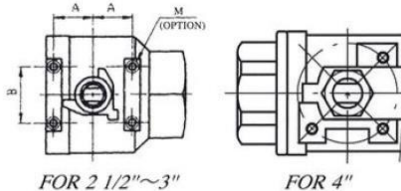
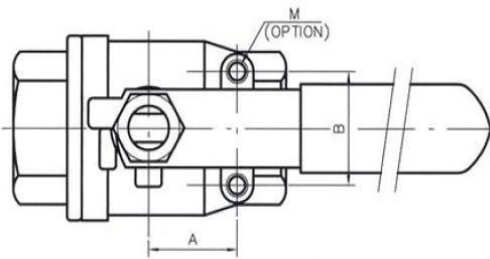
Materials:

No.	Part Name	Specification
1	Body	ASTM A216-WCB
2	End Cap	ASTM A216-WCB
3	Seat	Reinforced TFE
4	Ball	ASTM A351-CF8/304
5	Thrust Washer	PTFE
6	Gasket	GRAPHITE
7	Stem	ASTM A276-304
8	Stem Packing	GRAPHITE
9	Gland	AISI 304
10	Handle Washer	AISI 304
11	Handle Nut	AISI 304
12	Handle	Zinc Plated Steel
13	Handle Cover	PVC



Options:

- V: Vented Ball
- M: Tapped Mounting Pad



Dimensions:

Size		Ø D		L		A		B		H		W		M (Option)
in	mm	in	mm	in	mm	in	ln	ln	mm	in	mm	ln	mm	
1/4	8	0.43	11.0	2.24	57.0	0.5	12.7	1.12	28.5	2.12	54.0	3.70	94.0	10-24UNC
3/8	10	0.49	12.5	2.24	57.0	0.5	12.7	1.12	28.5	2.12	54.0	3.70	94.0	10-24UNC
1/2	15	0.59	15.0	2.54	64.5	0.5	12.7	1.12	28.5	2.24	57.0	3.70	94.0	10-24UNC
3/4	20	0.79	20.0	2.87	73.0	0.87	22.1	1.38	35.0	2.46	62.5	4.37	111.0	10-24UNC
1	25	1.00	25.4	3.36	85.5	0.93	23.6	1.38	35.0	2.87	73.0	5.37	136.5	10-24UNC
1 1/4	32	1.26	32.0	3.94	100.0	0.93	23.6	1.50	38.1	3.09	78.5	5.37	136.5	1/4-20UNC
1 1/2	40	1.50	38.0	4.41	112.0	0.93	23.6	1.50	38.1	3.48	88.5	6.57	167.0	1/4-20UNC
2	50	1.97	50.0	5.12	130.0	0.93	23.6	1.50	38.1	3.84	97.5	6.57	167.0	1/4-20UNC
2 1/2	65	2.56	65.0	6.38	162.0	1.38	35.0	2.16	55.0	5.06	128.5	9.56	243.0	1/4-20UNC
3	80	3.15	80.0	7.08	180.0	1.38	35.0	2.16	55.0	5.49	139.5	9.56	243.0	1/4-20UNC
4	100	3.94	100.0	9.09	231.0	-	-	-	-	6.59	167.5	10.79	274.0	M10