

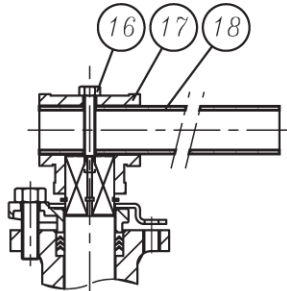
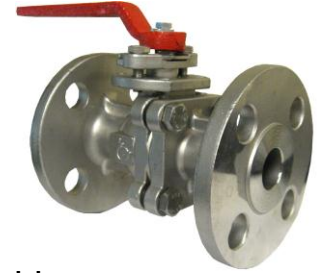


2-PIECE STAINLESS STEEL FULL PORT FLANGED BALL VALVE

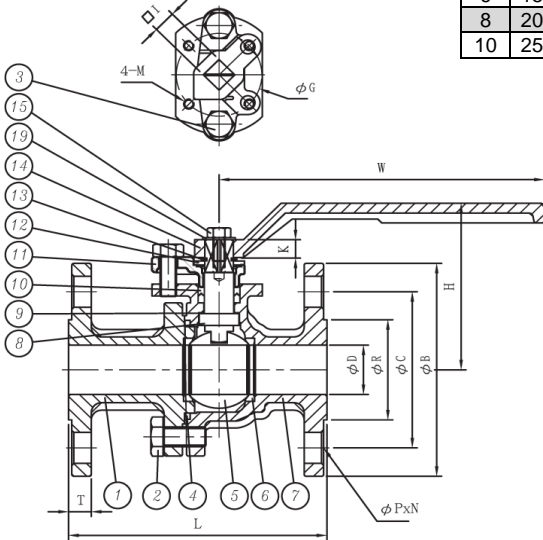
Class 150, Flanged Ends, ISO 5211 Mounting Pad

Features:

- Split body design with flanged ends for fast installation, in-line maintenance and rebuilding. Solid ball construction provides structural integrity and minimizes flow turbulence.
- Body join is designed to prevent excessive compression of valve internals, resulting in a consistent and low operating torque.
- Mounting pad complied with ISO 5211 for ease and interchangeability of actuation.
- Bottom-loaded blow-out proof stem.
- Investment cast body & cap on sizes ½" to 8". Sand cast body & cap on sizes 10" to 12".
- Basic design complied with ASME/ANSI B16.34
- Flanged ends complied with ASME/ANSI B16.5
- Face-to-face dimensions complied with ASME/ANSI B16.10
- Tested according to API 598 & ANSI B 16.34



HANDLE FOR 6" & ABOVE



Dimensions of mounting pad:

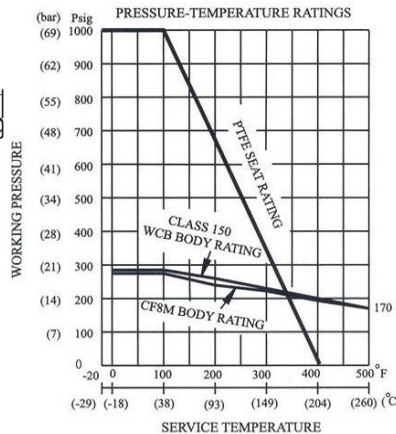
Size	I		K		ØG		M	
	in	mm	in	mm	in	mm		
½	15	0.35	9	0.30	7.5	1.65	42	M5
¾	20	0.35	9	0.30	7.5	1.65	42	M5
1	25	0.43	11	0.30	7.5	1.65	42	M5
1 ½	40	0.55	14	0.43	11	2.76	70	M8
2	50	0.55	14	0.43	11	2.76	70	M8
2 ½	65	0.67	17	0.61	15.5	2.76	70	M8
3	80	0.67	17	0.61	15.5	2.76	70	M8
4	100	0.87	22	0.71	18	4.02	102	M10
5	125	0.87	22	0.71	18	4.02	102	M10
6	150	1.06	27	1.18	30	4.92	125	M12
8	200	1.06	27	1.22	31	4.92	125	M12
10	250	1.42	36	1.38	35	5.51	140	M16

Materials:

No.	Part Name	Specification
1	End Cap	ASTM A351-CF8M
2	Bolt	
3	Gland Bolt	AISI 304
4	Gasket	PTFE
5	Ball	ASTM A351-CF8M/316
6	Seat	PTFE
7	Body	ASTM A351-CF8M
8	Stem	ASTM A276-316
9	Thrust Washer	PTFE
10	Stem Packing	PTFE
11	Gland	ASTM A351-CF8
12	Handle Stopper	AISI 304
13	Snap Ring	AISI 420
14	Handle	FCD 45
15	Bolt	Zinc Plated Steel
16	Bolt	Carbon Steel
17	Coupler	ASTM A216-WCB
18	Handle	Carbon Steel
19	Washer	Zinc Plated Steel

Options:

- F: Fire-safe Design
- V: Vented ball
- P: Equipped with pneumatic actuator
- G: Equipped with gear operator
- A: Anti-static Device



GLAND DESIGN
FOR 4" & ABOVE

Dimensions:

Size		Ø D		L		T		Ø R		Ø C		Ø B		Ø P		N	H		W	
in	mm	in	mm	in	mm	in	mm	in	mm	in	mm	in	mm	in	mm		in	mm	in	mm
½	15	0.59	15	4.25	108	0.38	9.65	1.38	35.1	2.38	60.5	3.50	88.9	0.62	15.75	4	3.01	76.5	5.12	130
¾	20	0.79	20	4.62	117	0.41	10.41	1.69	42.9	2.75	69.9	3.88	98.6	0.62	15.75	4	3.07	78	5.12	130
1	25	1.00	25.4	5.00	127	0.44	11.18	2.00	50.8	3.12	79.2	4.25	108.0	0.62	15.75	4	3.33	84.5	6.30	160
1 ½	40	1.50	38	6.50	165	0.56	14.22	2.88	73.2	3.88	98.6	5.00	127.0	0.62	15.75	4	4.09	104	8.27	210
2	50	1.97	50	7.00	178	0.62	15.75	3.62	91.9	4.75	120.7	6.00	152.4	0.75	19.05	4	4.41	112	8.27	210
2 ½	65	2.56	65	7.50	190.5	0.69	17.53	4.12	104.6	5.50	139.7	7.00	177.8	0.75	19.05	4	5.28	134	12.40	315
3	80	2.99	76	8.00	203	0.75	19.05	5.00	127.0	6.00	152.4	7.50	190.5	0.75	19.05	4	5.59	142	12.40	315
4	100	3.94	100	9.00	228.5	0.94	23.88	6.19	157.2	7.50	190.5	9.00	228.6	0.75	19.05	8	7.01	178	15.75	400
5	125	4.92	125	14.0	356	0.94	23.88	7.31	185.7	8.50	215.9	10.00	254.0	0.88	22.35	8	7.87	200	15.75	400
6	150	5.91	150	15.5	394	1.00	25.40	8.50	215.9	9.50	241.3	11.00	279.4	0.88	22.35	8	9.11	231.5	21.46	545
8	200	7.87	200	18.0	457	1.12	28.45	10.62	269.7	11.75	298.5	13.50	342.9	0.88	22.35	8	11.48	291.5	35.43	900
10	250	9.84	250	21.0	533	1.19	30.23	12.75	323.9	14.25	362.0	16.00	406.4	1.00	25.40	12	13.98	355	39.37	1000