

3 PIECE FULL PORT STAINLESS STEEL BALL VALVE

LS-331T-D

1000 WOG, Threaded Ends, ISO 5211 Direct Actuator Mounting Pad, Square Stem

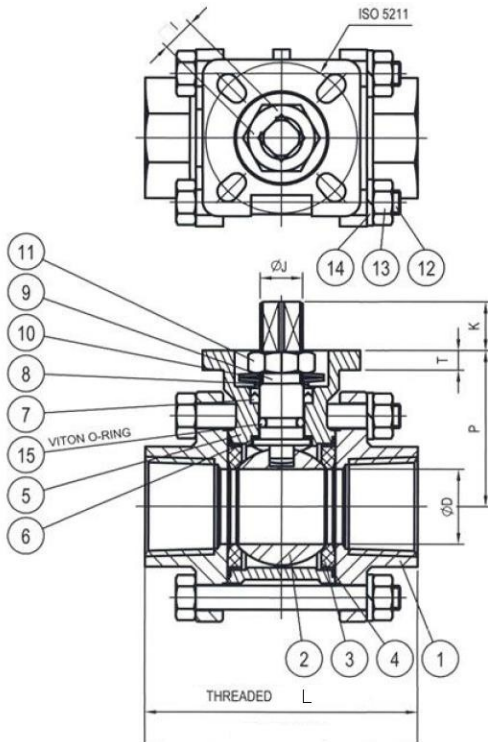


Features:

- Actuator can be installed directly on the mounting pad without using bracket & coupling.
- Live-loaded packing gland design for self-adjustment of packing compression.
- Chevron V type packing to further ensure no leakage.
 - Pressure equalizing seats.
- Bottom-loaded blow-out proof stem
- Low operating torque to reduce automation costs.
- Basic design complied with ANSI B16.34 & EN 12516-1.
- NPT threaded ends complied with ANSI B 1.20.1.
- Rc, Rp & G Threaded ends complied with BS 21/2779, JIS B-0203/0202, DIN 259/2999, ISO 228-1, AS1722.1/1722.2 are upon request.
 - Tested according to API 598.

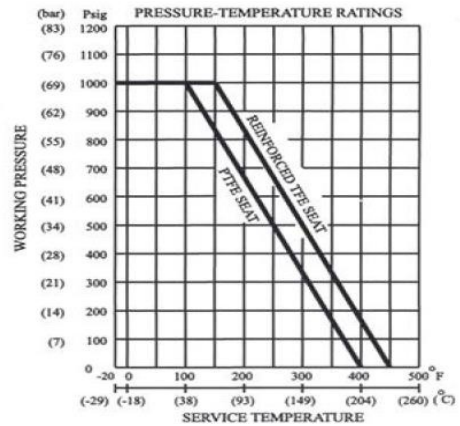
Materials:

No.	Part Name	Specification
1	End Cap	ASTM A351-CF8M
2	Ball	ASTM A351-CF8M/316
3	Seat	PTFE
4	Gasket	PTFE
5	Body	ASTM A351-CF8M
6	Thrust Washer	PTFE
7	Stem Packing	PTFE
8	Gland	AISI 304
9	Stem	ASTM A276-316
10	Belleisle Washer	AISI 301
11	Packing Nut	AISI 304
12	Bolt	AISI 304/Gr. B8
13	Bolt Nut	AISI 304/Gr. 8
14	Bolt Washer	AISI 304
15	O-ring	Viton



Options:

- H: Equipped with lever handle (without locking device)
- A: Anti-static device
- L: Equipped with lockable lever handle
- V: Vented Ball
- P: Equipped with pneumatic actuator.



Dimensions:

Size		Ø D		I		Ø J		K		L		P		T		ISO 5211
in	mm	in	Mm	in	mm	in	mm	in	mm	in	mm	in	mm	in	mm	
¼	8	0.41	10.5	0.35	9	0.47	12	0.35	9	2.76	70	1.65	42	0.16	4	F03-F04
⅜	10	0.49	12.5	0.35	9	0.47	12	0.35	9	2.76	70	1.65	42	0.16	4	F03-F04
½	15	0.59	15	0.35	9	0.47	12	0.35	9	2.76	70	1.65	42	0.16	4	F03-F04
¾	20	0.79	20	0.35	9	0.47	12	0.35	9	3.15	80	1.77	45	0.16	4	F03-F04
1	25	0.98	25	0.43	11	0.55	14	0.55	14	3.54	90	2.05	52	0.26	6.5	F04-F05
1¼	32	1.26	32	0.43	11	0.55	14	0.55	14	4.13	105	2.30	58.5	0.26	6.5	F04-F05
1½	40	1.50	38	0.55	14	0.75	19	0.71	18	4.72	120	2.68	68	0.28	7	F05-F07
2	50	1.97	50	0.55	14	0.75	19	0.71	18	5.51	140	3.13	79.5	0.30	7.5	F05-F07
2½	65	2.56	65	0.67	17	0.94	24	0.87	22	6.61	168	4.13	105	0.41	10.5	F07-F10
3	80	3.15	80	0.67	17	0.94	24	0.87	22	7.60	193	4.57	116	0.41	10.5	F07-F10
4	100	3.94	100	0.87	22	1.10	28	1.14	29	9.09	231	5.35	136	0.41	10.5	F10-F12