

3 Piece 2000 PSI Stainless Steel Ball Valve

The Lance three-piece Stainless Steel Ball Valve is designed for fast, economical in-line maintenance. Its strengthened construction secures 2000 psi working pressure rating while the reinforced TFE seats increase durability.



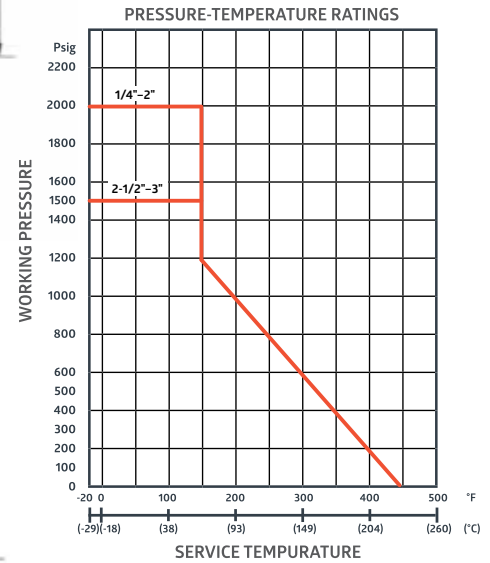
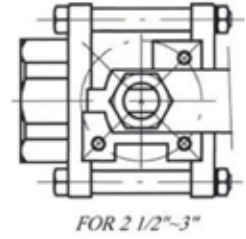
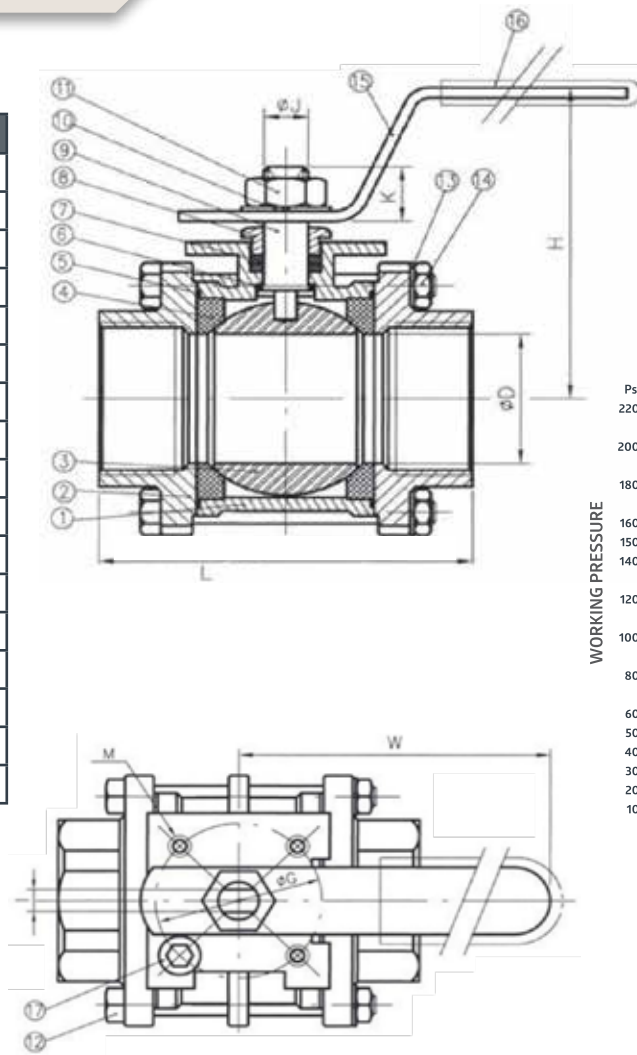
Features

- Threaded Ends, 1/4" to 2"
- 2000 WOG, 2-1/2" to 3"
- 1500 WOG, ISO 5211 Mounting Pad
- Adjustable packing gland
- Bottom-loaded blow-out proof stem
- Low operating torque to reduce automation costs
- Basic design complies with ANSI B16.34 & EN 12516-1.
- Socket weld ends complying with ANSI B 16.11 are upon request
- Mounting pad complied with ISO 5211 for ease and interchangeability of actuation
- Tested according to API 598

Lance Valves has been a Leading Manufacturer and Supplier of Valves for More than 40 years.

Materials

No.	Part Name	Specification
1	Body	ASTM A351-CF8M
2	End cap	ASTM A351-CF8M
3	Ball	ASTM A351-CF8M/316
4	Seat	Reinforced TFE
5	Gasket	PTFE
6	Thrust Washer	PTFE
7	Stem Packing	PTFE
8	Gland	AISI 304
9	Stem	ASTM A276-316
10	Handle Washer	AISI 304
11	Handle Nut	AISI 304
12	Bolt	AISI 304/Gr. B8
13	Nut	AISI 304/Gr. 8
14	Bolt Washer	AISI 304
15	Handle	AISI 304
16	Handle Cover	PVC
17	Stop Screw	AISI 304



Part No.	Part No.	Size	Ø D	L	I	Ø J	K	Ø G	M	H	M
Threaded Ends	Socket Weld	in mm	in mm	in mm	in mm	in mm	in mm	in mm	mm	in mm	in mm
332T025	332S025	¼ 8	0.43 11.0	2.56 65	0.20 5	0.31 8	0.37 9.5	1.42 36	M5	2.13 54	5.31 135
332T038	332S038	⅜ 10	0.49 12.5	2.56 65	0.20 5	0.31 8	0.37 9.5	1.42 36	M5	2.13 54	5.31 135
332T050	332S050	½ 15	0.59 15.0	2.76 70	0.20 5	0.31 8	0.47 12.0	1.42 36	M5	2.24 57	5.31 135
332T034	332S034	¾ 20	0.79 20.0	3.15 80	0.24 6	0.39 10	0.54 13.7	1.42 36	M5	2.46 62.5	5.31 135
332T100	332S100	1 25	1.00 25.4	3.54 90	0.31 8	0.47 12	0.70 17.7	1.65 42	M5	2.70 68.5	6.50 165
332T125	332S125	1¼ 32	1.26 32.0	4.13 105	0.31 8	0.47 12	0.70 17.7	1.65 42	M5	2.91 74	6.50 165
332T150	332S150	1½ 40	1.50 38.0	4.72 120	0.31 8	0.55 14	0.71 18.0	1.97 50	M6	3.56 90.5	6.89 175
332T200	332S200	2 50	1.97 50.0	5.28 134	0.31 8	0.55 14	0.71 18.0	1.97 50	M6	3.92 99.5	6.89 175
332T250	332S250	2½ 65	2.56 65.0	6.50 165	0.47 12	0.79 20	1.14 29.0	2.76 70	M8	5.06 128.5	9.57 243
332T300	332S300	3 80	3.15 80.0	7.28 185	0.47 12	0.79 20	1.14 29.0	2.76 70	M8	5.49 139.5	9.57 243